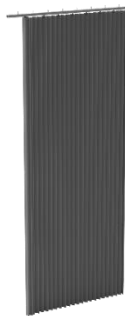


Data Sheet | Room Dividers

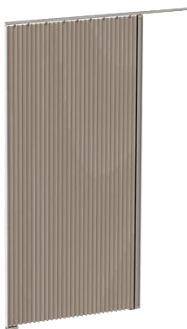
DESCRIPTION

Semi-assembled pleated room divider for installation in caravans. There are 2 options available both in 2 colours. These simple products are the perfect solution for separate spaces in a caravan or motorhome. Both are lightweight.



BASIC VERSION 1800 x 1910

Has a top guiding track and when open is fixed to the wall with the help of a magnet plate- when closed the material is held by a strap.



XS VERSION 1210 x 1910

The XS version has an extra feature, the click closure. This version also has a cassette profile on the wall side for easier fixing.

STANDARD DIMENSIONS

BASIC

Top guider profile length	1800 mm
Overall height	1910mm

XS

Top guider profile length	1210 mm
Overall height	1910 mm

MATERIAL SPECIFICATIONS

Top guider profile

Extruded aluminium 23,3 mm or PVC of 22,8mm

XS cassette is PVC

Pullbar

Aluminium

Curtain

Stitch bonded non-woven nylon.

Curtain colour RAL 9001 [After Sales] or RAL 7047

INSTALLATION

Roomdivider XS:

20mm walls are needed for this installation. Easy positioning by using the positioning part.

The cassette is first taped to the wall to keep it in position.

The top guiding rail is fixed with 2,9mm x 19mm screws. The amount of screws needed depends on the length and material of the top guider profile.

After the top guiding rail, the cassette profile is fixated with 5x 2,9mm x 19mm screws.

The magnet counter plate is mounted to the opposite wall of the cassette using a 2,9mm x 19mm screw.

Roomdivider basic:

20mm walls are needed for this installation. The top guiding rail is mounted using 2,9mm x 19mm screws. The roomdivider basic kit is slid into the top guiding rail and fixated by placing a strip into the last pleat which is fixated with 5x 2,9mm x 19mm screws. The wrap, button and magnet counter plate are mounted using 2,9mm x 19mm screws.

CLEANING

A soft damp cloth with mild detergent

PACKAGING

Individually or bulk with mounting set

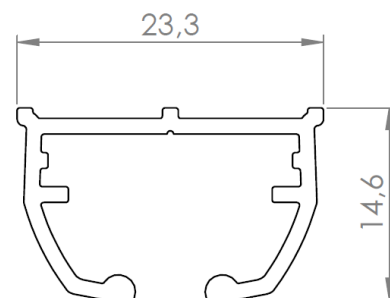
SPECIAL NOTE

Combine with the TV Screen for optimal privacy.

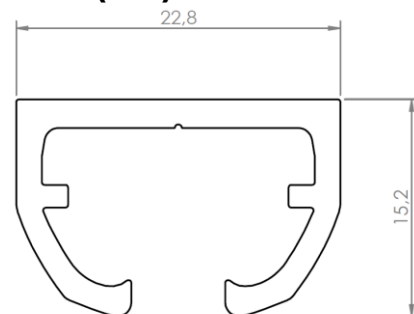
DETAIL (CLOSED)



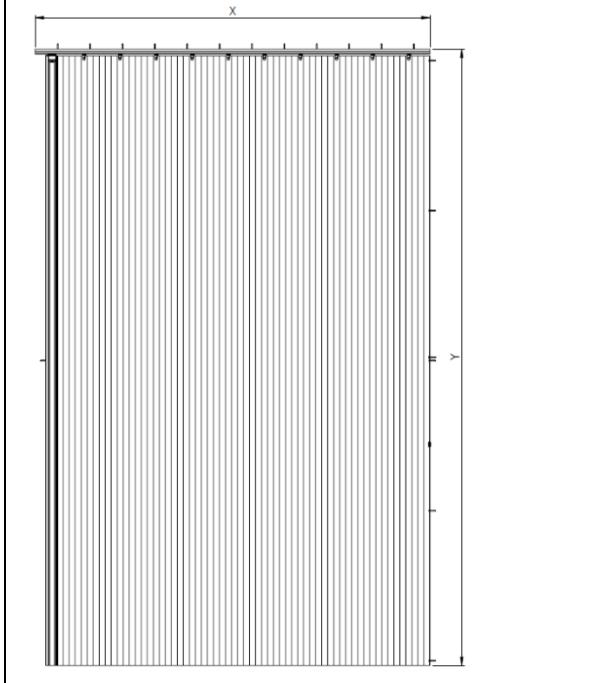
DRAWING (MM) RMD Aluminium Profile



DRAWING (MM) RMD PVC Profile



DRAWING RMD Basic Fitment



Disclaimer | The specifications in this data sheet are for information purposes only and may be subject to change without prior notice
© Horrex 2021

DRAWING RMD XS Fitment

